



BRENNER MADE ★ AMERICAN PROUD

EST. 1972

BRENNER METAL PRODUCTS CORP

BRENNERMETAL.COM

973-778-2466 (Phone)

973-778-8780 (Fax)

90 Dayton Avenue
Building 14, Unit 1F
Passaic, New Jersey 07055



QUAD LITTER

OPEN DIMENSIONS:

86" L x 22" W x 6" H

FOLDED DIMENSIONS:

20.50" L x 9" W x 8" H

WEIGHT: 20 lbs.

CAPACITY: 500 lbs.

PART# 9639
NSN PENDING

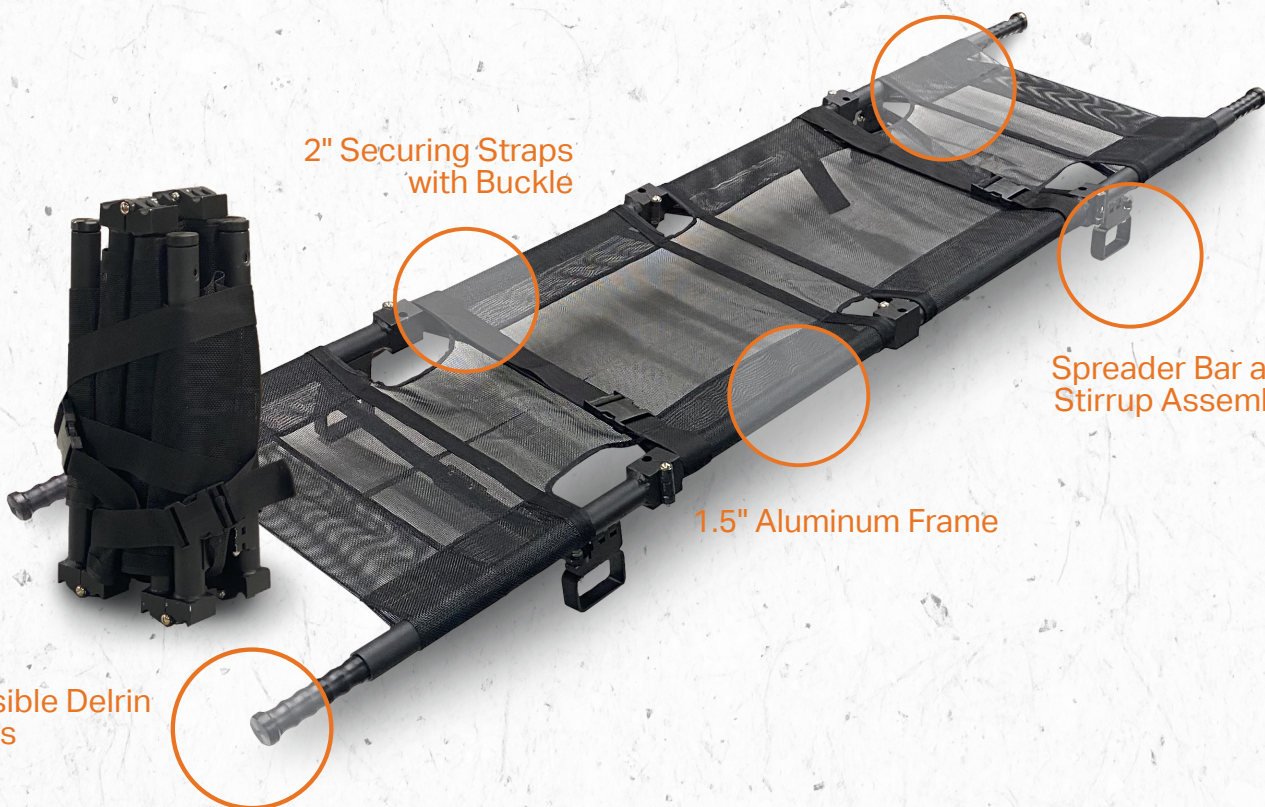
Vinyl Mesh Fabric

2" Securing Straps
with Buckle

Spreader Bar and
Stirrup Assembly

1.5" Aluminum Frame

Collapsible Delrin
Handles



CAGE CODE: 62728

NAICS: 314910 • 332710 • 339112 339113 • 339114 • 423450